

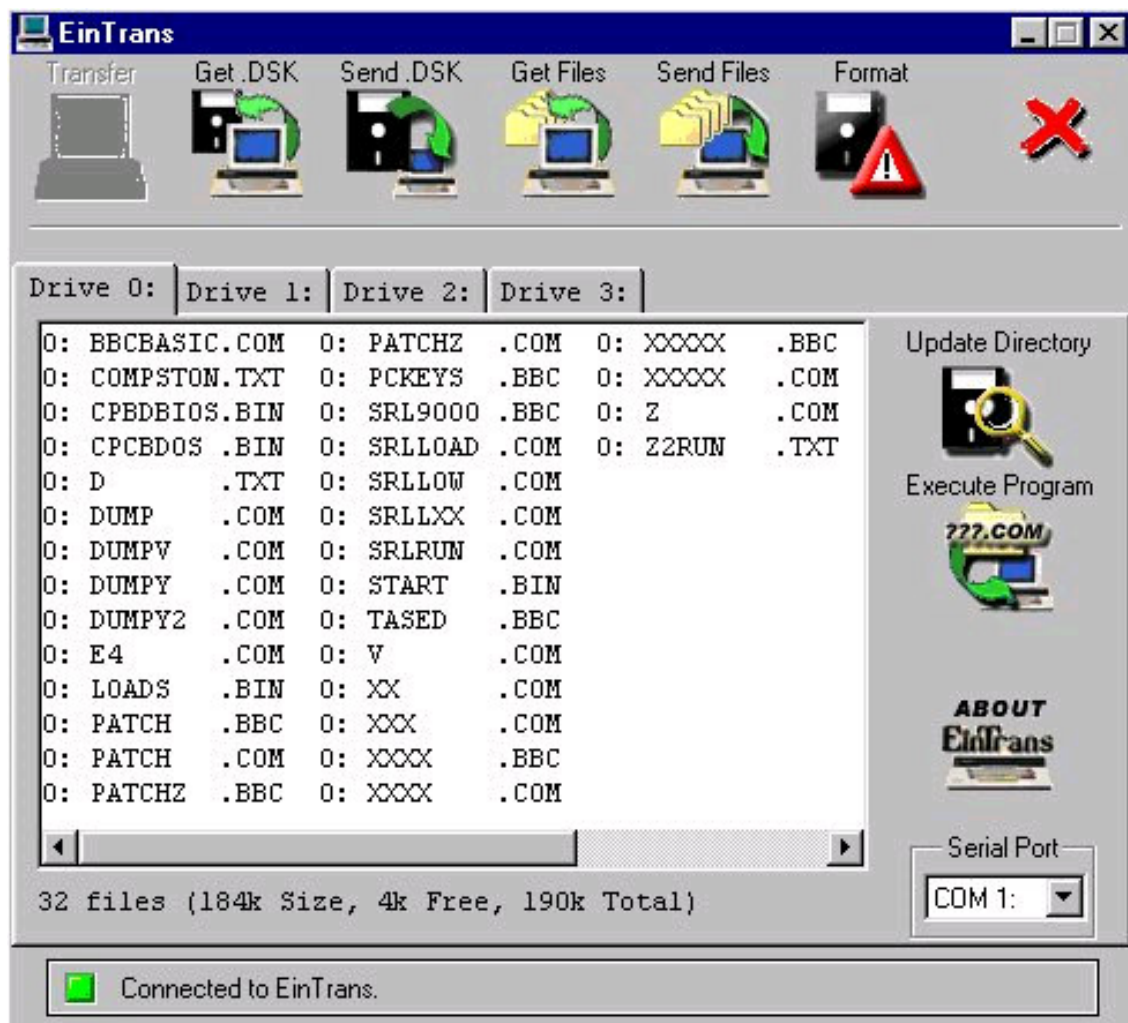
# WinEinTrans

## A Windows PC/Einstein Serial Link Program

*Created By Ste Ruddy*

### From a PC Window

- 1:Displays Einstein Drive Directories
- 2:Sends and Gets files from Einstein Disks
- 3:Deletes and Renames files on an Einstein Floppy
- 4:Formats an Einstein drive
- 5:Creates an Einstein disc image from an Einstein floppy (40 track 10 sectors per track) only.
- 6:Downloads and executes an Einstein program

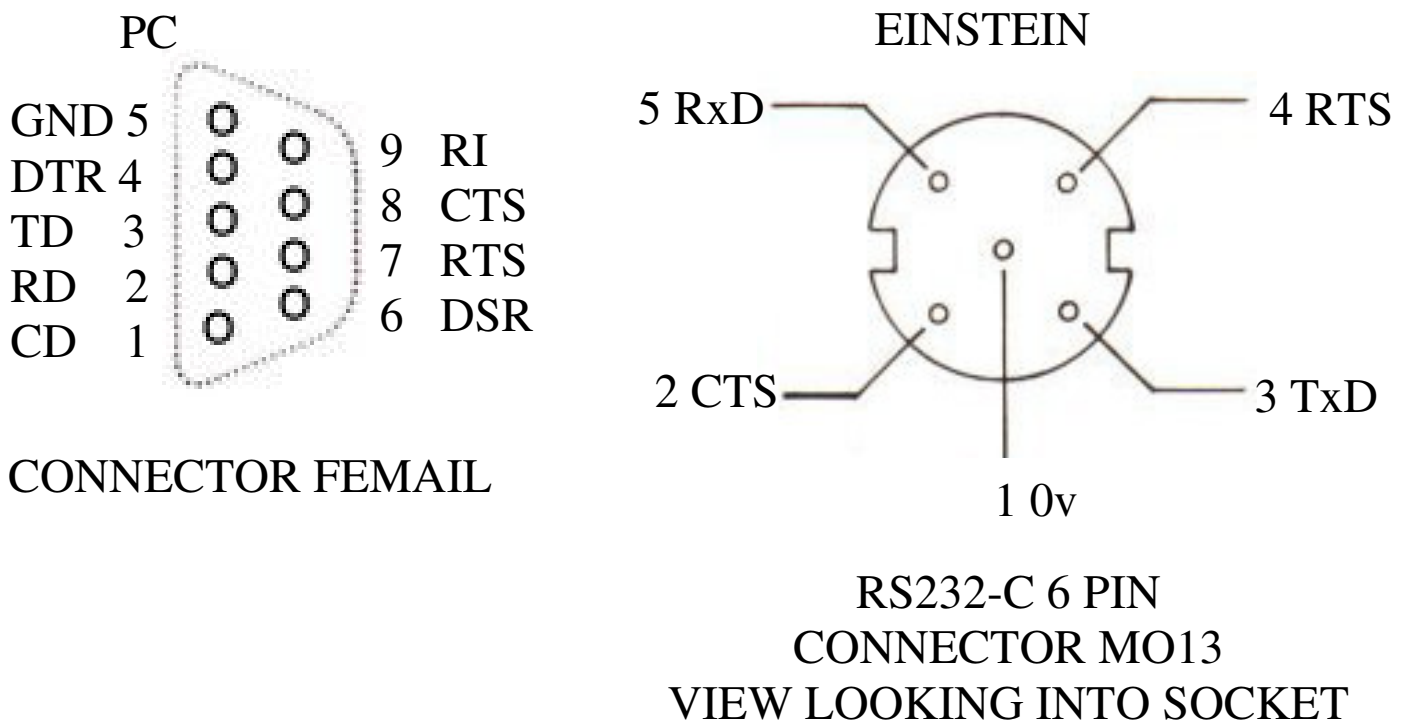


# HARDWARE REQUIREMENTS

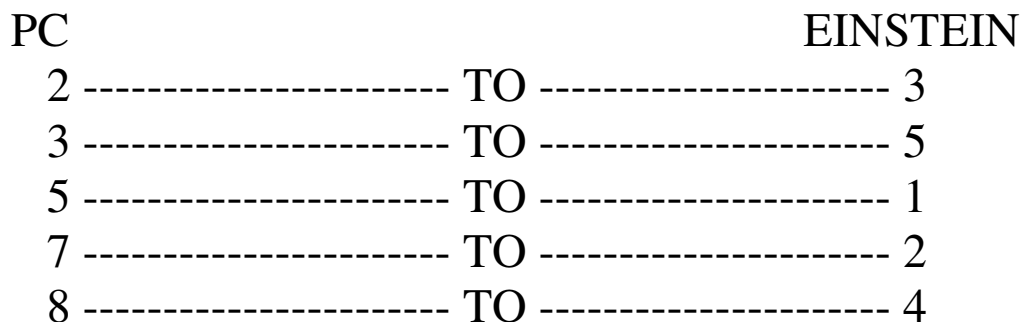
A null modem link between the Einstein and PC. Hardware handshaking needed.

## PC-Einstein Serial Link

### Serial Port Connections



### WIRE CONNECTIONS



# INSTALLING WinEinTrans ON THE PC

Download EinTrans200.zip from the Tatung Einstein Website.

Open the archive. It will hold four files. WinEinTrans.exe the windows GUI version can be run by just double clicking its icon. This means it can be extracted to and run from removal media. The extracted four files are just too big to fit on a 1.44 m. floppy but WinEinTrans.exe can be put on a floppy by its self and run.

The "EinTrans.chm" windows help file with screen shots will show how to get EINTRANS.COM the Einstein part of the transfer program installed onto an Einstein floppy. A boot floppy for the Einstein will be needed with COPY.COM, and either XBAS.COM or BBCBASIC.COM files on the disk.

## USING EINTRANS

The "EinTrans.chm" windows help file will be needed more for the command line version of Eintrans.exe than the Windows version. The command line version has additional features that are more technical in nature ie: the "eintrans drive" command which will show the parameter tables of floppies in the Einstein drives.

The GUI version is more or less self explicit except for that of right clicking the mouse pointer on files displayed in the Einy directory to get a drop down menu. Check the right serial port is used bottom right hand corner.

**END**